

mediclinics
www.mediclinics.com

M12A / M12ACS



INSTALLATION AND OPERATING MANUAL

INTRODUCTION

'Dualflow Plus' range hand dryers offer the following technical features:

- Automatic operation. Hand detection is based on IR-type movement sensors.
- The speed of the air generated by the hand dryer can be adjusted, to achieve an optimum balance between the drying power and noise level.
- Available finishes:
 - White (M12A)
 - Satin (M12ACS)
- Dimensions: 656 mm (H) x 320 mm (W) x 226 mm (D).
- Weight: 8.3 Kg
- Mounting: Surface.

OPERATION

Hands must be introduced inside. Hand dryer starts automatically after introducing hands.

Move hands vertically (as shown in Fig.1) in order to dry them completely.

Green light (in standby state) led on top becomes to orange colour when dryer is in use.

Maximum continuous operation time is $T = 30$ sec.
Drying time is less to it ($T_d \approx 8 - 12$ sec).

After removing hands, dryer turns off automatically.

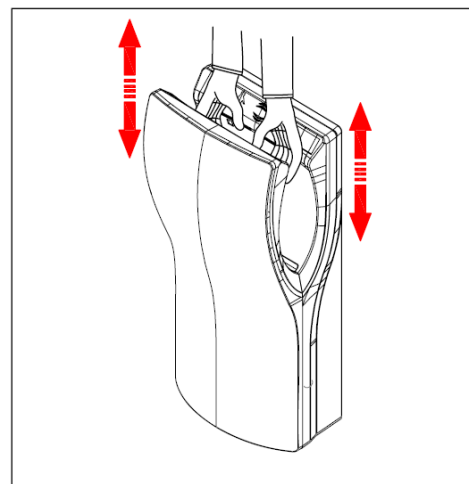


Figure nº 1

This appliance can be used by children aged from 8 years or above and persons with reduced physical, sensory or mental capabilities or lack of experience and knowledge if they have been given supervision or instruction concerning use of the appliance in a safe way and understand the hazards involved. Children shall not play with the appliance.

Cleaning and user maintenance shall not be made by people without the proper training.

Means for disconnection with contact separations at least 3 mm (0.12") must be incorporated in the fixing wiring.

INSTALLATION AND MAINTENANCE BOOK (TECHNICAL STAFF)

Introduction.

'Dualflow Plus' family of hand dryers offers the technical features as follows.

- Automatic operation. Drying cycle starts when putting hands in. Two couple of IR sensors detect hands introduction.
- Dryer is a class I (earthed) electrical insulation device.
- Drying process is based on powerful air curtains which remove water from hands.
- Hand dryer has no heating element.
- Speed of air can be adjusted in order to achieve an optimum balance between drying power and noise level.
- Light leds on top supply some information referred to the status of hand dryer.
- Maximum time of continuous operation is $T_{max} = 30$ sec.
- Water from hands is collected in an internal tank which may be emptied.

Installation.

ONLY A QUALIFIED TECHNICIAN CAN INSTALL, ADJUST AND MAINTAIN THIS HAND DRYER.

The installation of the appliance is only allowed on fixed wiring.

Means for disconnection of the mains with contact separations at least 3 mm (0.12") must be incorporated in the fixing wiring.

The installer must make sure that the electric system is grounded in accordance with the law in force.

Make sure that the electric system has a high-sensitivity breaker $I_n \leq 0.03$ A.

Make sure that the machine is disconnected from the electric power supply, before performing maintenance operation.

To install the hand dryer follow the pictures contained in the figure 2.

The hand dryer must be fitted to the wall by using the upper metal plate (support) which is supplied.

After fitting the metal plate, the hand dryer should be hung on it. The lower screw fits safely the appliance to the wall. So, to assemble the hand dryer the following steps must be done.

- Make three 8 mm (0.31") diameter drill holes in the wall using the provided template (1).
- Clean the dust away and insert the wall plugs.

- Screw the upper plate to the wall (2).
- Plastic covers which protect the terminal block (inlet power supply) must be removed (3).
- The hand dryer should be hung on the metal support which has been fitted to the wall (4).
- Pass the electrical cables from mains through the 22 mm diameter hole located in the rear plastic base3 plate. (5).
- Connect the electrical wires to the hand dryer terminal block. Two phases (N,L) and earth wires must be screwed in the right ways of the terminal block, as indicated by the engraved letters (6).
- After this operation has been done, plastic covers must be placed correctly (10).
- Remove the air inlet filter casing (7).
- Firmly place the lower screw for fixing the appliance completely (8).
- Put the inlet air casing to its location and place the two screws that fix it to the appliance.

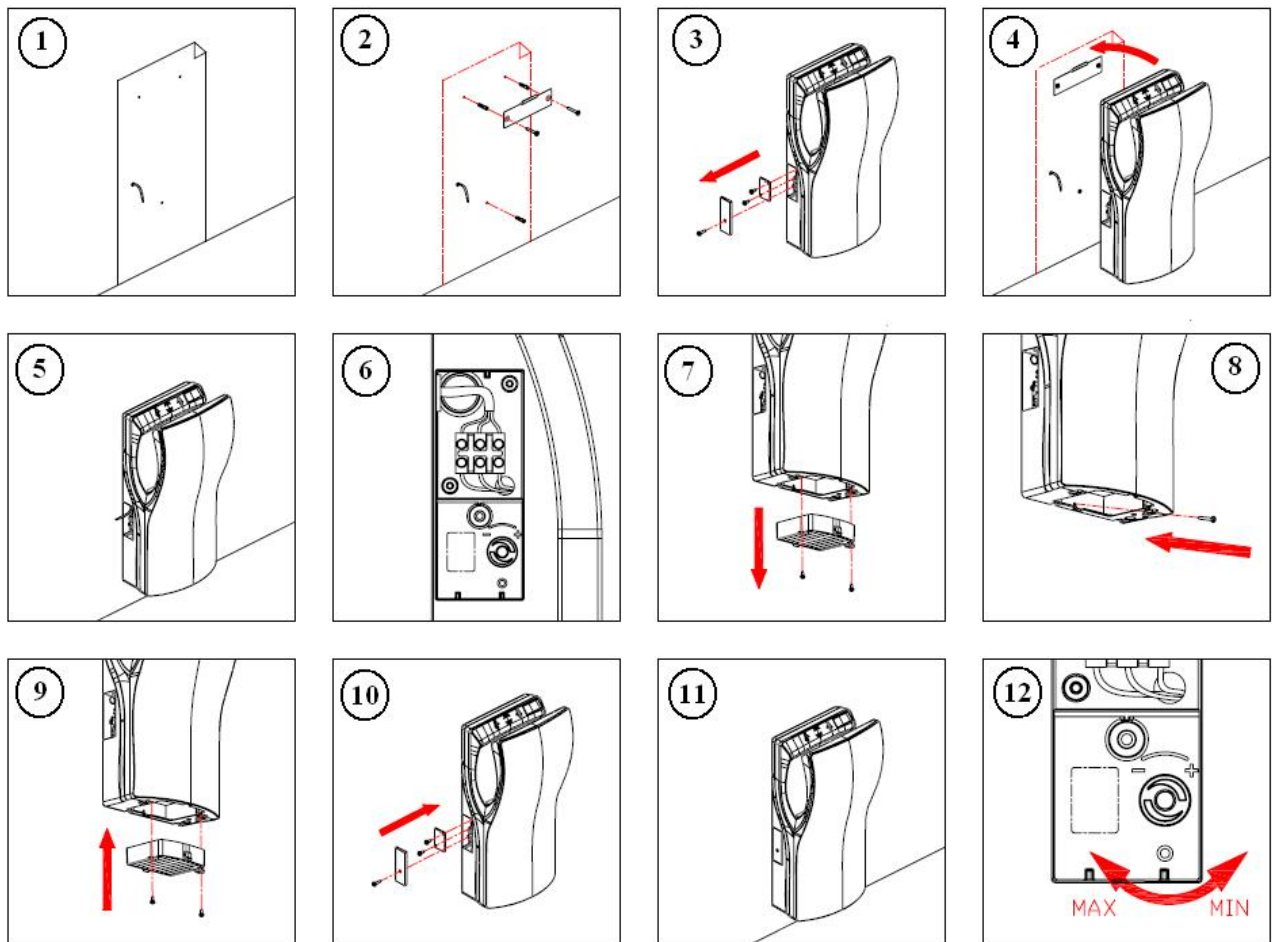


Figure n° 2

Installation height must be the showed in figure n° 3.

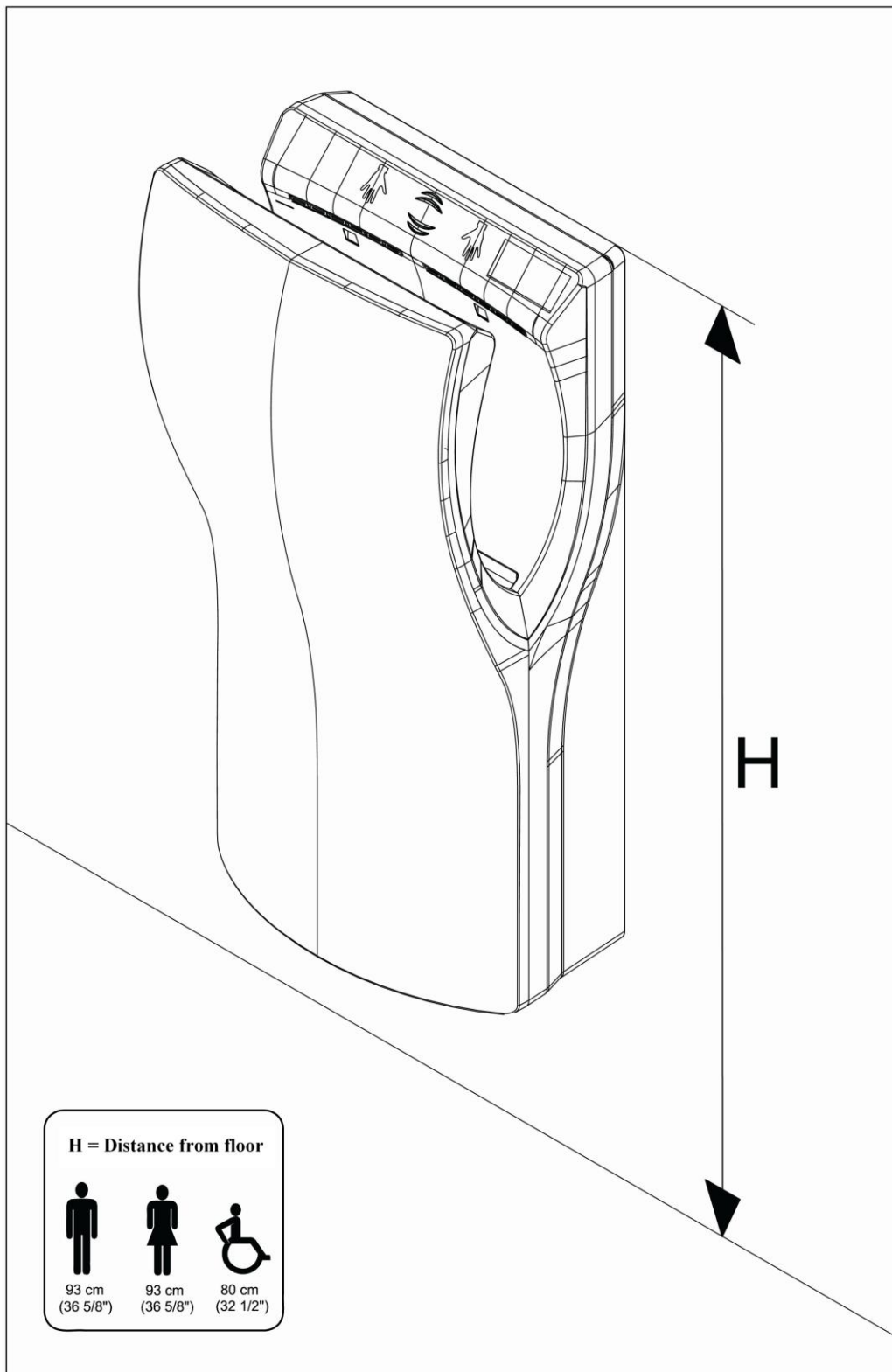


Figure n° 3

ATTENTION: WHEN THE CASING IS DISMANTELED ACTIVE PARTS OF THE DEVICE BECOME ACCESSIBLE.

Maintenance.

ONLY A QUALIFIED TECHNICIAN CAN INSTALL, ADJUST AND MAINTAIN THIS HAND DRYER.

Adjust the speed of the motor.

To adjust the speed of the motor turn the sensor potentiometer wheel as the picture 4 shows.

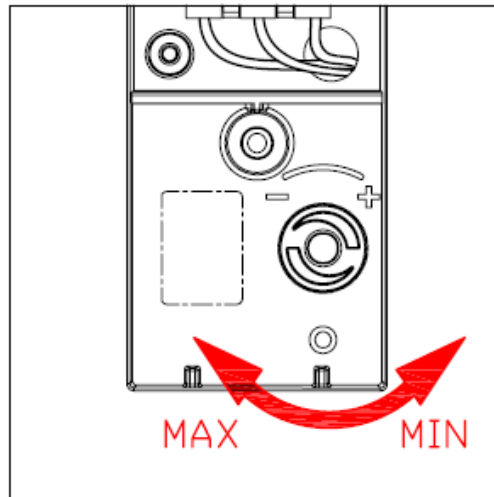


Figure n° 4

Pilot light information.

Light leds on the top of the hand dryer (see figure 5) give advice about:

- 1: Standby (green colour) or operation status (orange colour).
- 2: Red colour led brights when motor has a problem of consumption (due to brushes which may be wearing out or due to a blocked or locked state of motor).
- 3.- Blue colour led brights when cabinet of water is full.

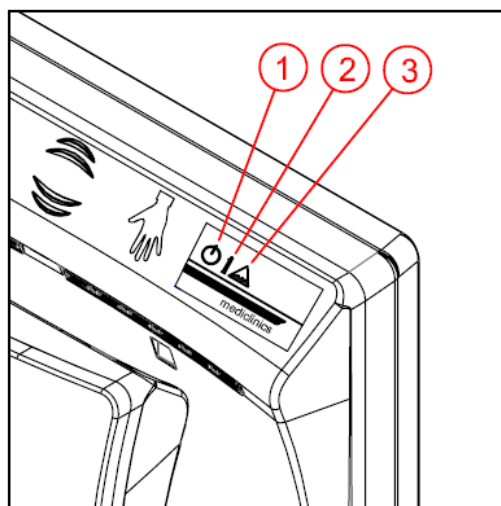


Figure n° 5

Air filter.

Air filter must be changed as the pictures of figure n° 6 shows.

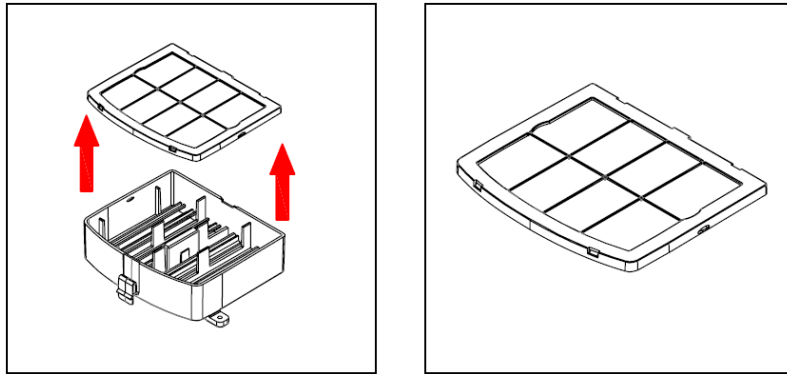


Figure n° 6

No smell load charge.

Figure n° 7 shows how to install the no smell charge.

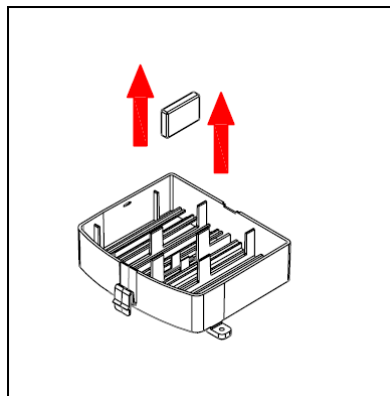


Figure n° 7

Water tank.

Water from hands drops directly to an internal water tank. When water reaches the 'full level' an acoustic alarm sounds and the blue pilot light bright (see Fig. 5).

In this case, water in the tank must be emptied.

To evacuate the water from tank, press the push button as indicated in Fig. 8.

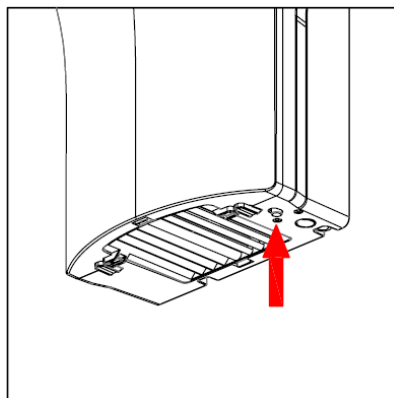


Figure n° 8

CONNECTION DIAGRAM

ELECTRIC DIAGRAM

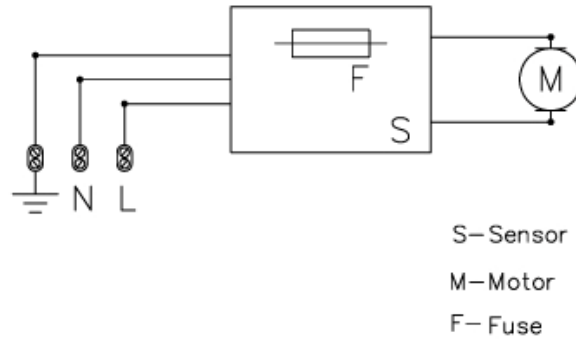


Figure nº 9

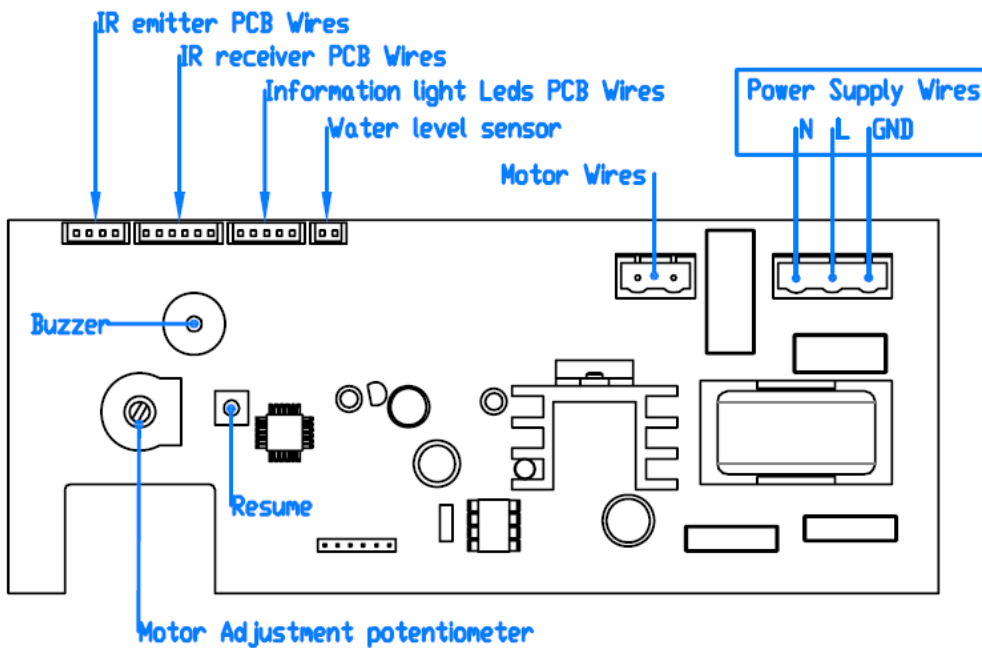


Figure nº 10



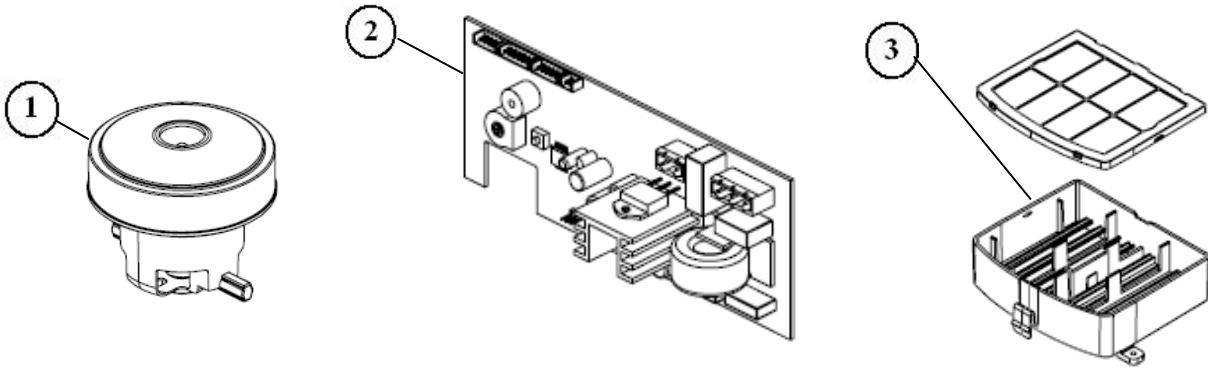
DANGER.
Electric shock risk

- The installer must make sure that the electric system is grounded in accordance with the law in force.

- Make sure that the electric system has a high-sensitivity breaker $I_{\Delta n} \leq 0.03 \text{ A}$.

- Make sure the machine is disconnected from electric power supply, before performing maintenance operation.

BASIC EXPLODED VIEW



COMPONENT	NUMBER	CODE
Motor set	1	RC9111003SMD
Electronic control	2	RC9121012SMD
Air filter set	3	RCFILTRODFW