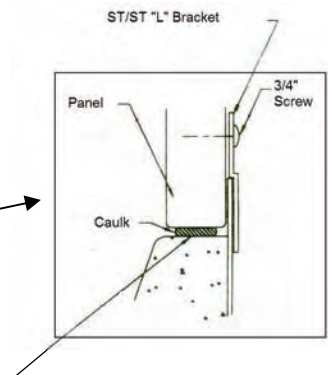
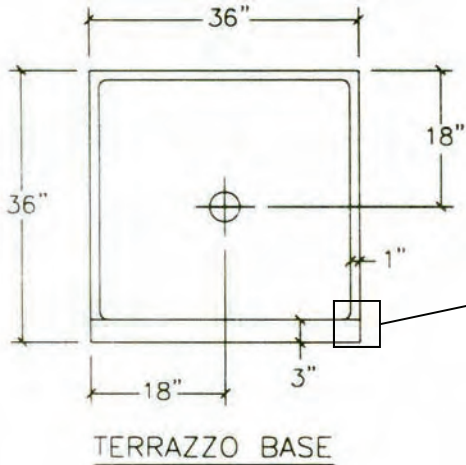
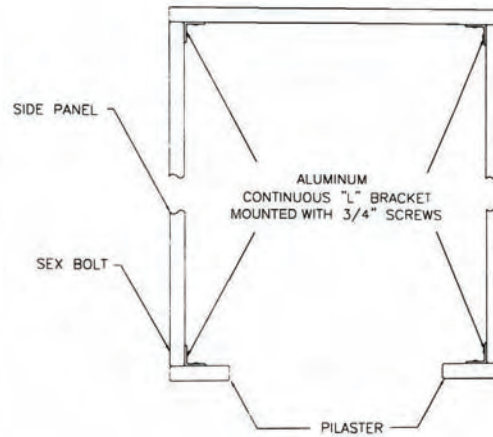
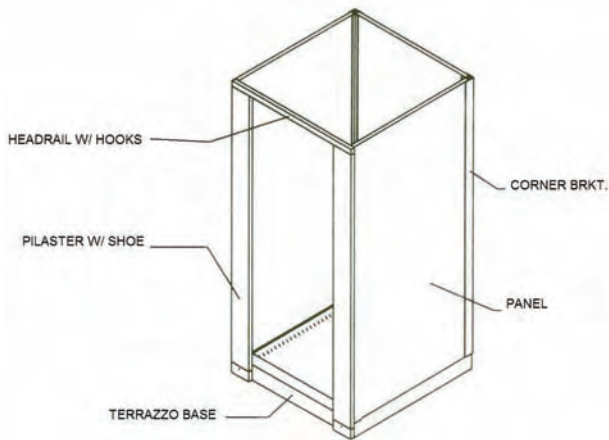


Meeting Your Specifications...
Exceeding Your Expectations

Shower Compartment w/Stainless Steel Flange (Standard)



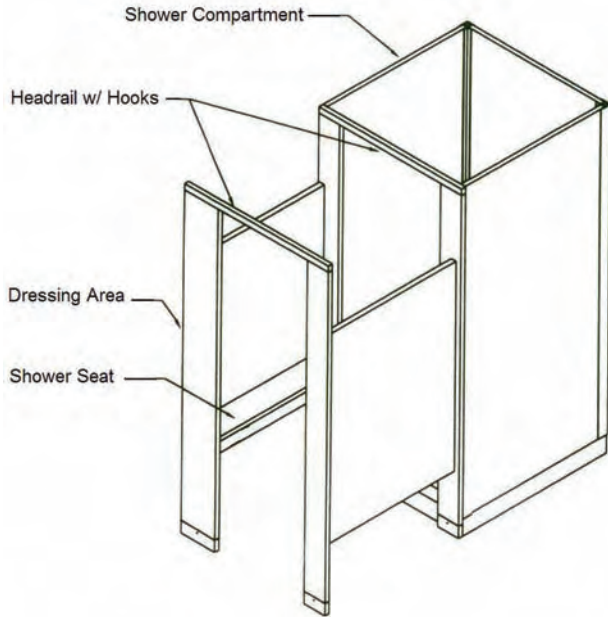
Create a Water Tight Seal by Placing a Bead of Caulk between Shower Base and Panel.



P.O. Box 154, Dunmore, PA 18512
Phone (570) 344-5019
Fax (570) 344-5077
Toll Free (888) 344-5698
www.LegacyPoly.com

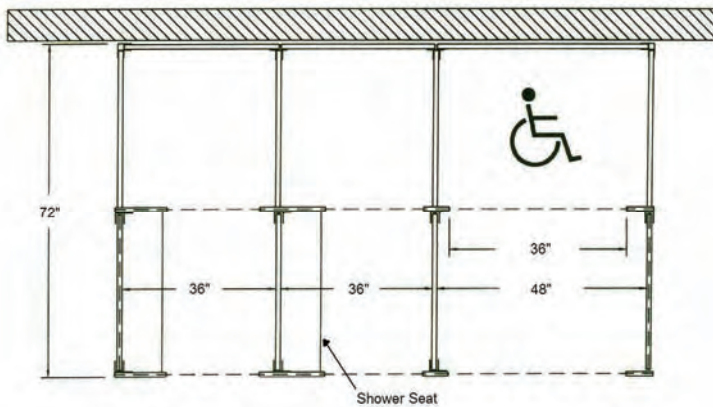
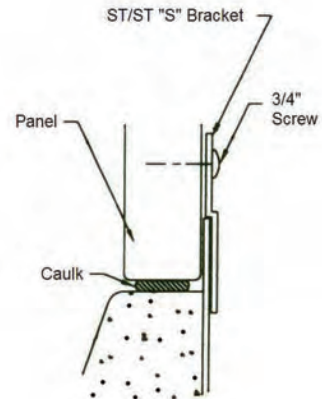
Meeting Your Specifications...
Exceeding Your Expectations

Shower Compartment w/Dressing Area



36" x 36" Unit Standard

32" x 32", 36" x 48" and
36" x 60" available as an
Option.



Floor Layout

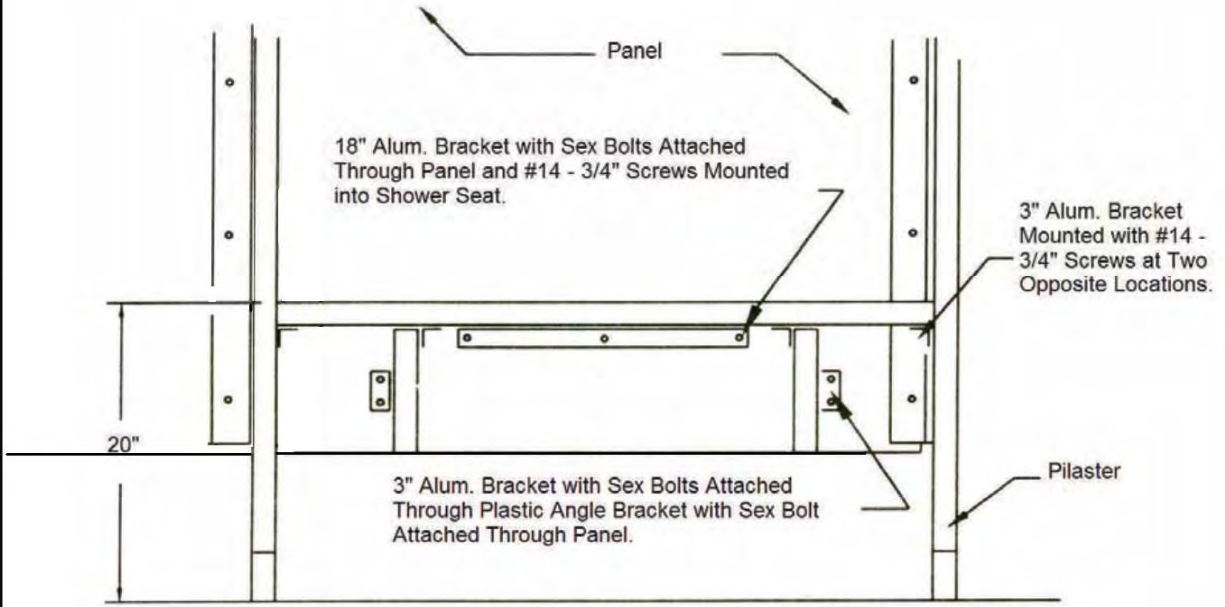
Create a Water Tight Seal
by Placing a Bead of Caulk
between Shower Base and
Panel.



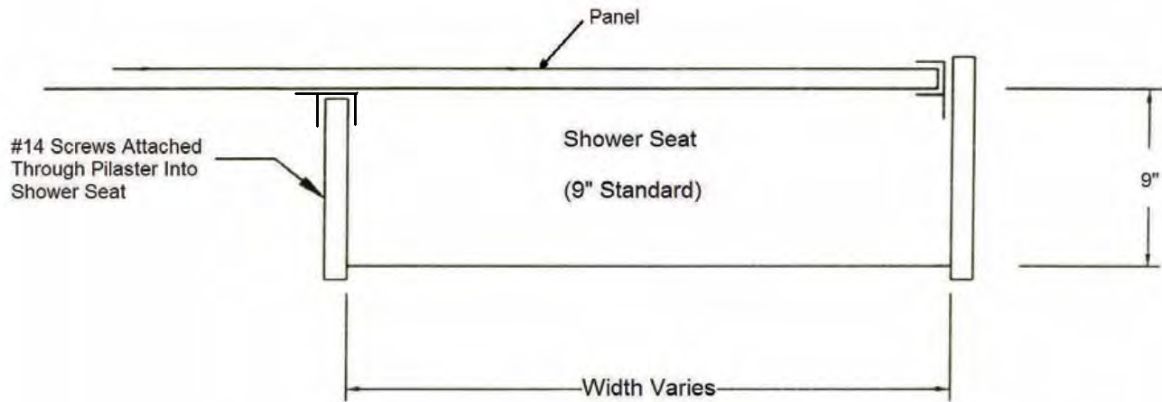
P.O. Box 154, Dunmore, PA 18512
Phone (570) 344-5019
Fax (570) 344-5077
Toll Free (888) 344-5698
www.LegacyPoly.com

Meeting Your Specifications...
Exceeding Your Expectations

Shower Seats



Front View



Floor Layout



P.O. Box 154, Dunmore, PA 18512
Phone (570) 344-5019
Fax (570) 344-5077
Toll Free (888) 344-5698
www.LegacyPoly.com