

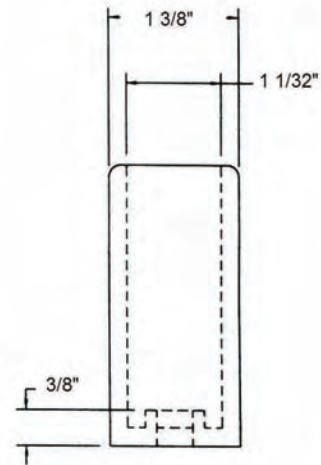
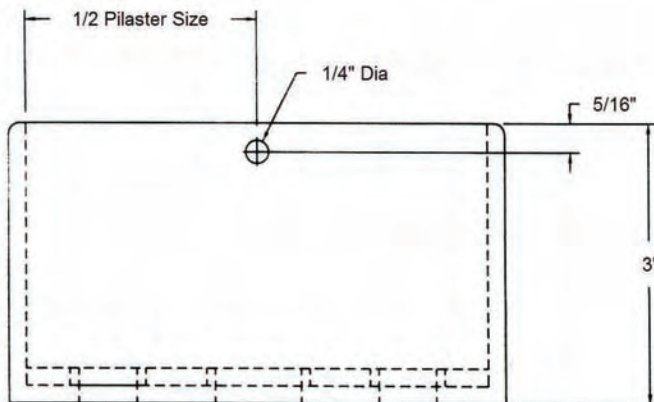
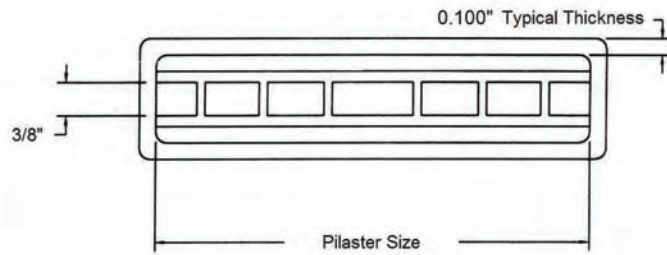
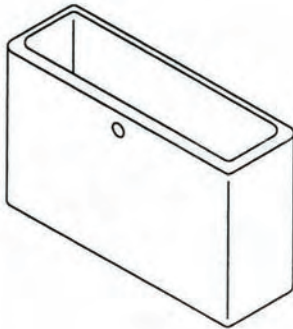
Meeting Your Specifications...
Exceeding Your Expectations

Plastic Pilaster Shoe

Material: Polyethylene

Finish: Matched Color to Partition

Available Colors: Gypsum, Almond Glaze, Desert Beige, Dusty Glaze, Mojave, Sharkfin Grey, Snow Glaze, White, Olive, Summer Blue, Volcanic Grey, Merlot, Night Sky, Estate Green, Admiral Blue and Black.



P.O. Box 154, Dunmore, PA 18512
Phone (570) 344-5019
Fax (570) 344-5077
Toll Free (888) 344-5698
www.LegacyPoly.com