

PINNACLE
DRYER

www.pinnacledryer.com

Touchless
Hand Dryers

Surface Model
P3-12S

- ↳ Stainless Steel Cover and Drying Chamber
- ↳ Vandal Resistant
- ↳ Low Power Consumption
- ↳ ADA Compliant - ONLY 4" DEEP

PLACE HANDS IN DRYER

TEN YEAR WARRANTY

Ideal for :

Schools
Prisons
DOT Rest Areas
Restaurants

Universities
Convenience Stores
Hospitals
Parks and Rec

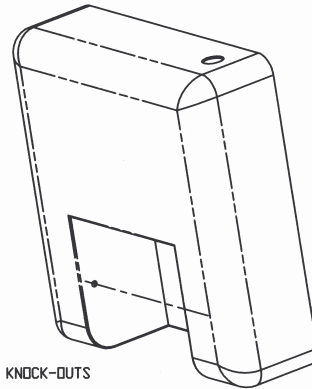
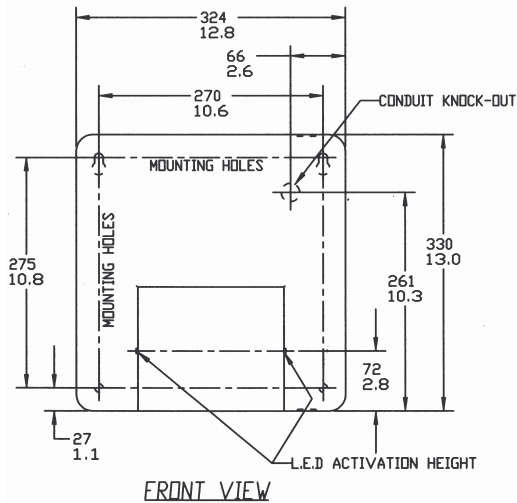


PINNACLE DRYER CORPORATION
330 FIELDS DRIVE - ABERDEEN, NC 28315 - TEL : 910.944.2117 or 800.943.7937 - FAX : 910.944.9430



PINNACLE DRYER CORPORATION

Surface Model P3-12S



DIMENSIONS DISPLAYED ARE METRIC (MM)
ENGLISH (IN)

Technical Information

MOTOR – Heavy Duty, 7500 RPM, Double-insulated, CSA & UL Component Approved

POWER CONSUMPTION – 11 amps 1.25 KW at 120 Vac Nominal

FAN ROTOR – Pressed, Galvanized and Electrically balanced delivering 150 cfm

HEATING ELEMENT – 1000W Heavy-duty, thermally protected to cut out at 85 C.

WARRANTY – Limited 10 year warranty

COVER – 20 gauge stainless steel

CIRCUITRY – All new solid state circuitry has completely eliminated all mechanical parts. Unit is activated by infra-red sensor when hands are placed in drying chamber. Dryer operates only when in use.

DRYING TIME – Complete drying is accomplished in 20-25 seconds.

WEIGHT – 12 lbs.

SAFETY – Five Levels of Over-Temperature Protection

INSTALLATION

The "Pinnacle" touchless hand dryer must be installed on a 20 AMP dedicated circuit and must be properly grounded. We recommend installing dryers on a GFI breaker.

CAUTION : Route Field Wiring Connections Away from Moving Parts. Disconnect from Power Before Servicing.

Dryer must be installed in accordance with the **National Electric Code (NEC)** and any local or state codes.

Mount Model #P3-12S to wall with four (4) lead anchors or four (4) toggle bolts. The P3-12S has three (3) electrical knock-out options. Preferred knock-out is on the back of the base plate. Optional knock-outs are provided on the top and bottom of cover.

FOR THE UNIT TO FUNCTION PROPERLY INSTALLATION SHOULD BE COMPLETE AND THE COVER IN PLACE.

RECOMMENDED MOUNTING HEIGHTS (check Code requirements in your area)

Distance from Floor to electronic eye in Drying Chamber :

Men's Washrooms.....	46" (117 cm)
Women's Washrooms.....	44" (112 cm)
Children's Washroom's (ages 4-7 yrs).....	32" (81 cm)
Children's Washroom's (ages 7-10 yrs).....	36" (91 cm)
Children's Washroom's (ages 10-13 yrs).....	40" (102 cm)
Children's Washroom's (ages 13-17 yrs).....	44" (112 cm)



Complies with UL Standard 499
Listing #E212260

WARRANTY

PINNACLE DRYER CORPORATION EXTENDS A **TEN (10) YEAR LIMITED WARRANTY ON REPLACEMENT PARTS**. This warranty applies only to the original purchaser and is effective from date of purchase. The printed circuit board shall have a warranty for three (3) years from date of purchase. Liability other than replacement of defective parts will not be accepted by the company. This warranty does not include parts damaged due to electrical storms and other acts of nature. As "Pinnacle" hand dryers are designed to be repaired very easily without removal from the wall, shipping and factory labor costs are normally eliminated. In the event the purchaser prefers to return the hand dryer to the factory for repair, all parts under warranty will be repaired with purchaser paying a \$30.00 service charge and all freight costs. This warranty is limited to replacement of defective parts only and does not apply to normal wear and tear, malicious damage, vandalism or improper installation. All defective parts must be returned prepaid to the factory along with hand dryer serial number.



330 FIELDS DRIVE - ABERDEEN, NC 28315 - TEL : 910.944.2117 or 800.943.7937 - FAX : 910.944.9430

