

## Continuous Wall Bracket (Double Ear)

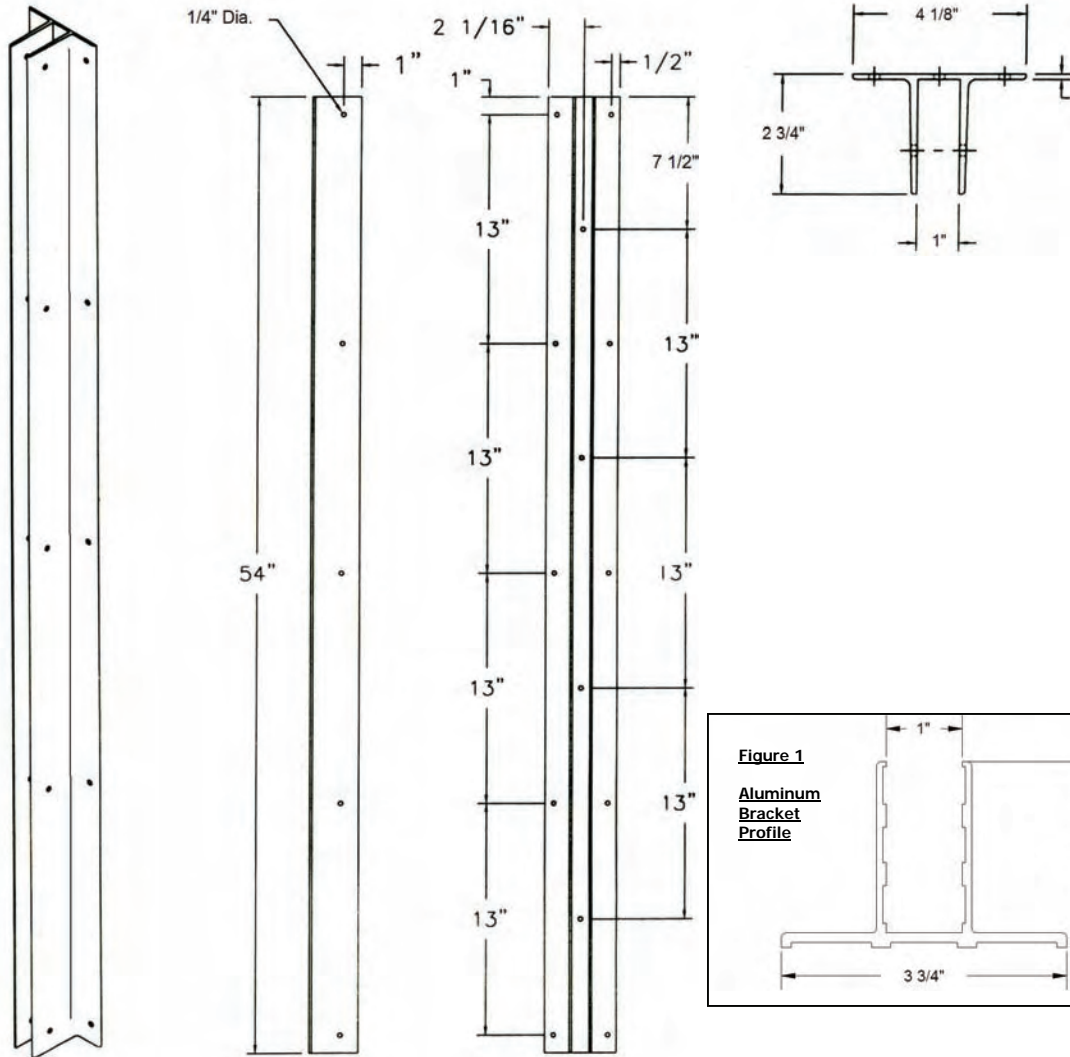
Material: Plastic (Standard)

Finish: Matched Color to Partition

Available Colors: Gypsum, Almond Glaze, Desert Beige, Dusty Glaze, Mojave, Sharkfin Grey, Snow Glaze, White, Olive, Summer Blue, Volcanic Grey, Merlot, Night Sky, Estate Green, Admiral Blue and Black.

Option: Aluminum Bracket with Clear Anodized Finish Provided at Extra Cost. (Figure 1)

Meeting Your Specifications...  
Exceeding Your Expectations



P.O. Box 154, Dunmore, PA 18512  
Phone (570) 344-5019  
Fax (570) 344-5077  
Toll Free (888) 344-5698  
[www.LegacyPoly.com](http://www.LegacyPoly.com)

# Continuous Wall Bracket (Single Ear)

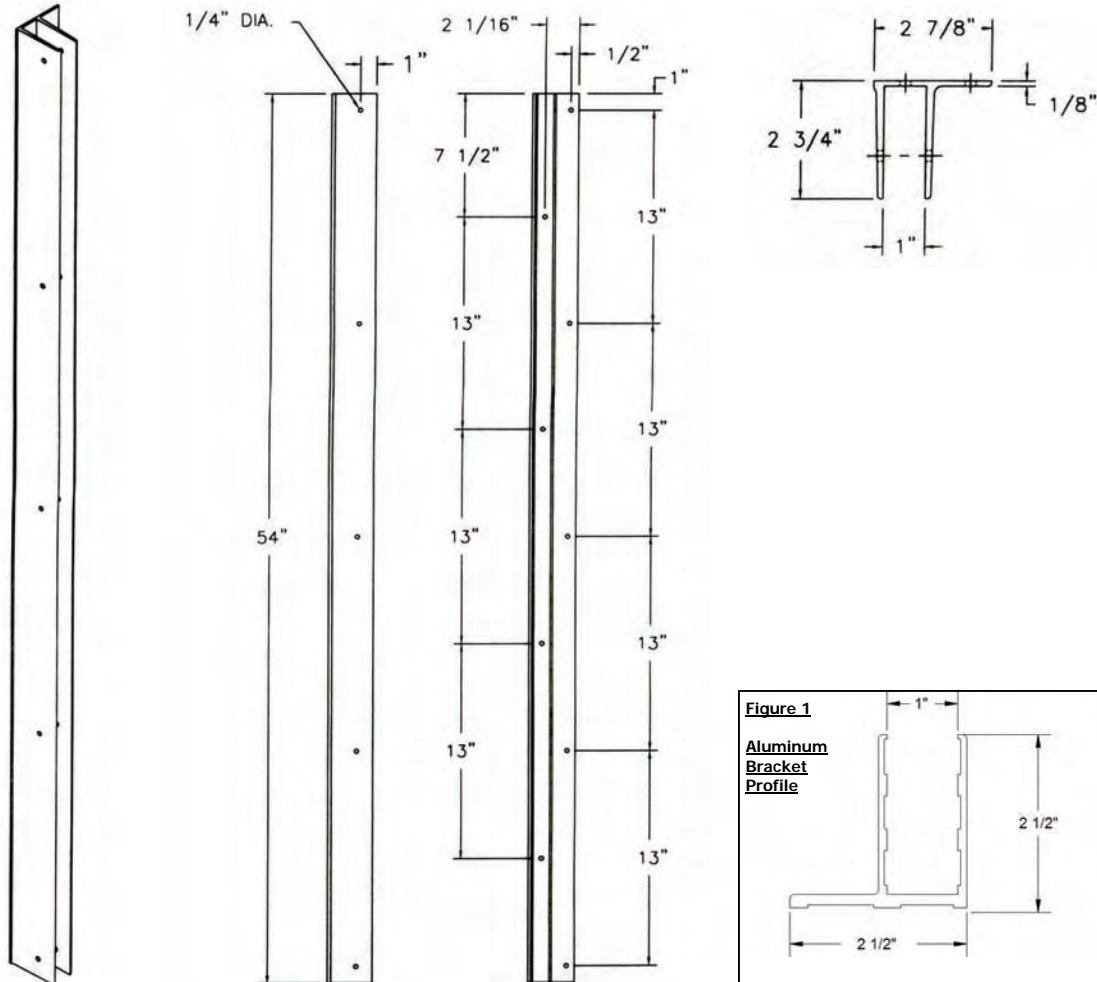
Material: Plastic (Standard)

Finish: Matched Color to Partition

Available Colors: Gypsum, Almond Glaze, Desert Beige, Dusty Glaze, Mojave, Sharkfin Grey, Snow Glaze, White, Olive, Summer Blue, Volcanic Grey, Merlot, Night Sky, Estate Green, Admiral Blue and Black.

Option: Aluminum Bracket with Clear Anodized Finish Provided at Extra Cost. (Figure 1)

Meeting Your Specifications...  
Exceeding Your Expectations



P.O. Box 154, Dunmore, PA 18512  
Phone (570) 344-5019  
Fax (570) 344-5077  
Toll Free (888) 344-5698  
[www.LegacyPoly.com](http://www.LegacyPoly.com)

## Continuous Bracket ("H")

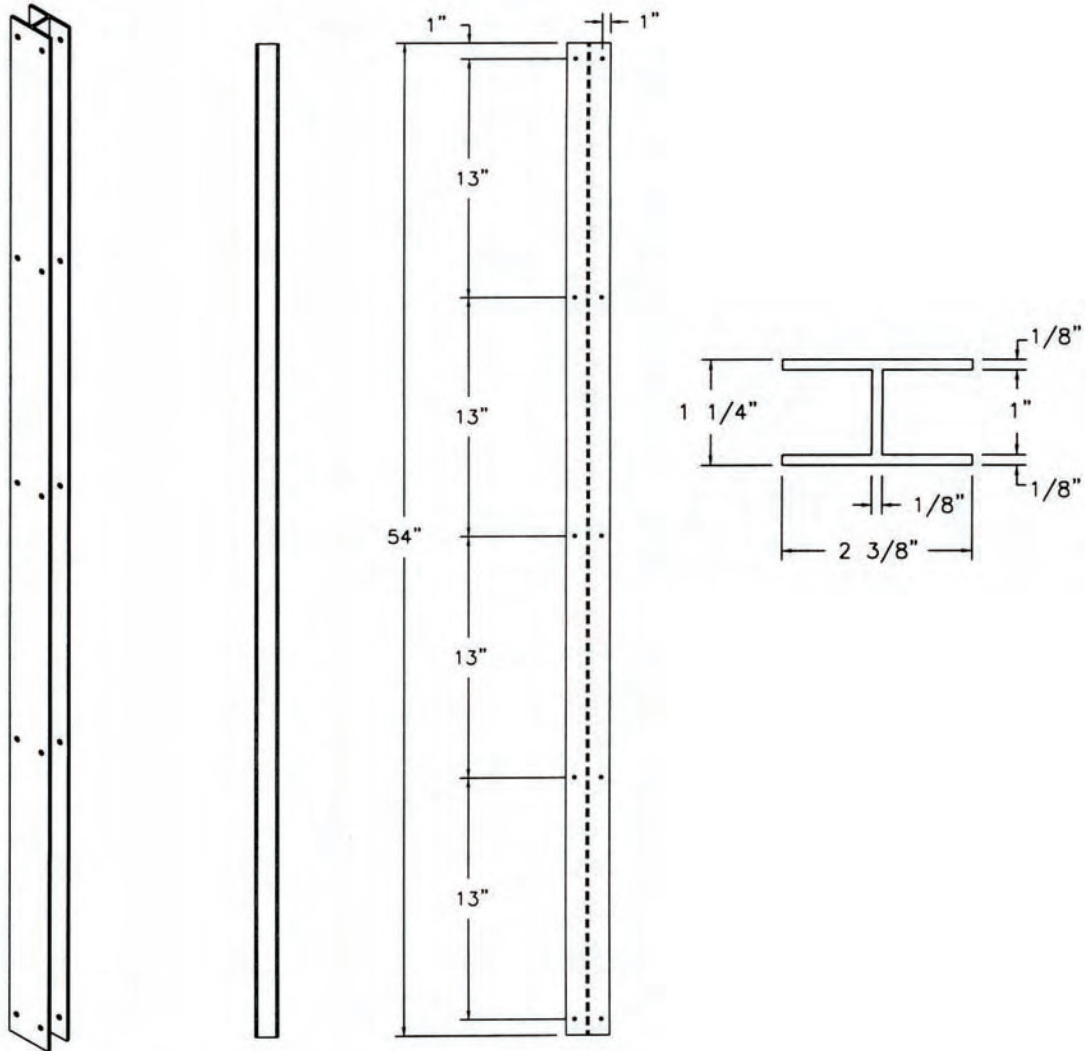
Material: Plastic (Standard)

Finish: Matched Color to Partition

Available Colors: Gypsum, Almond Glaze, Desert Beige, Dusty Glaze, Mojave, Sharkfin Grey, Snow Glaze, White, Olive, Summer Blue, Volcanic Grey, Merlot, Night Sky, Estate Green, Admiral Blue and Black.

Option: Aluminum Bracket with Clear Anodized Finish Provided at Extra Cost.

Meeting Your Specifications...  
Exceeding Your Expectations



P.O. Box 154, Dunmore, PA 18512

Phone (570) 344-5019

Fax (570) 344-5077

Toll Free (888) 344-5698

[www.LegacyPoly.com](http://www.LegacyPoly.com)