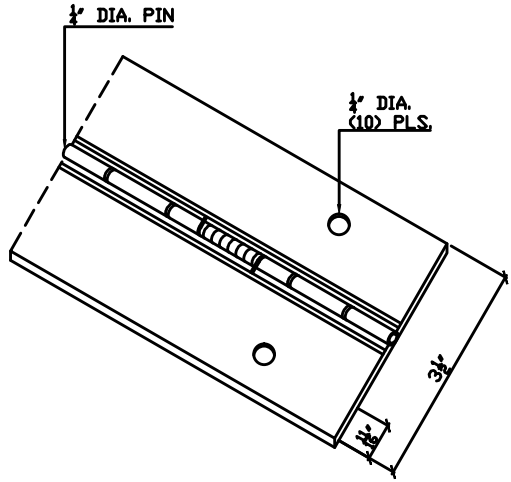
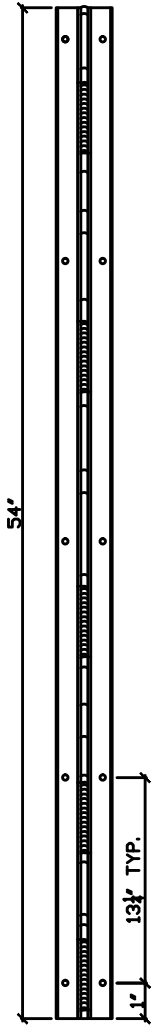


ALUMINUM CONTINUOUS HINGE - SPRING LOADED



- NOTES:
- \* NON-HANDED (NO LIFT)
  - \* 3/8" THICK ALUMINUM
  - \* (5) STAINLESS SPRINGS
  - \* 1/2" DIA. STAINLESS PIN
  - \* 3/8" THICK NYLON WASHERS ON ALL KNUCKLES



SERVICE ORIENTED SALES  
1336 N. MOORPARK ROAD #221  
THOUSAND OAKS, CA 91360  
805 375 6599, WWW.SOS.TO